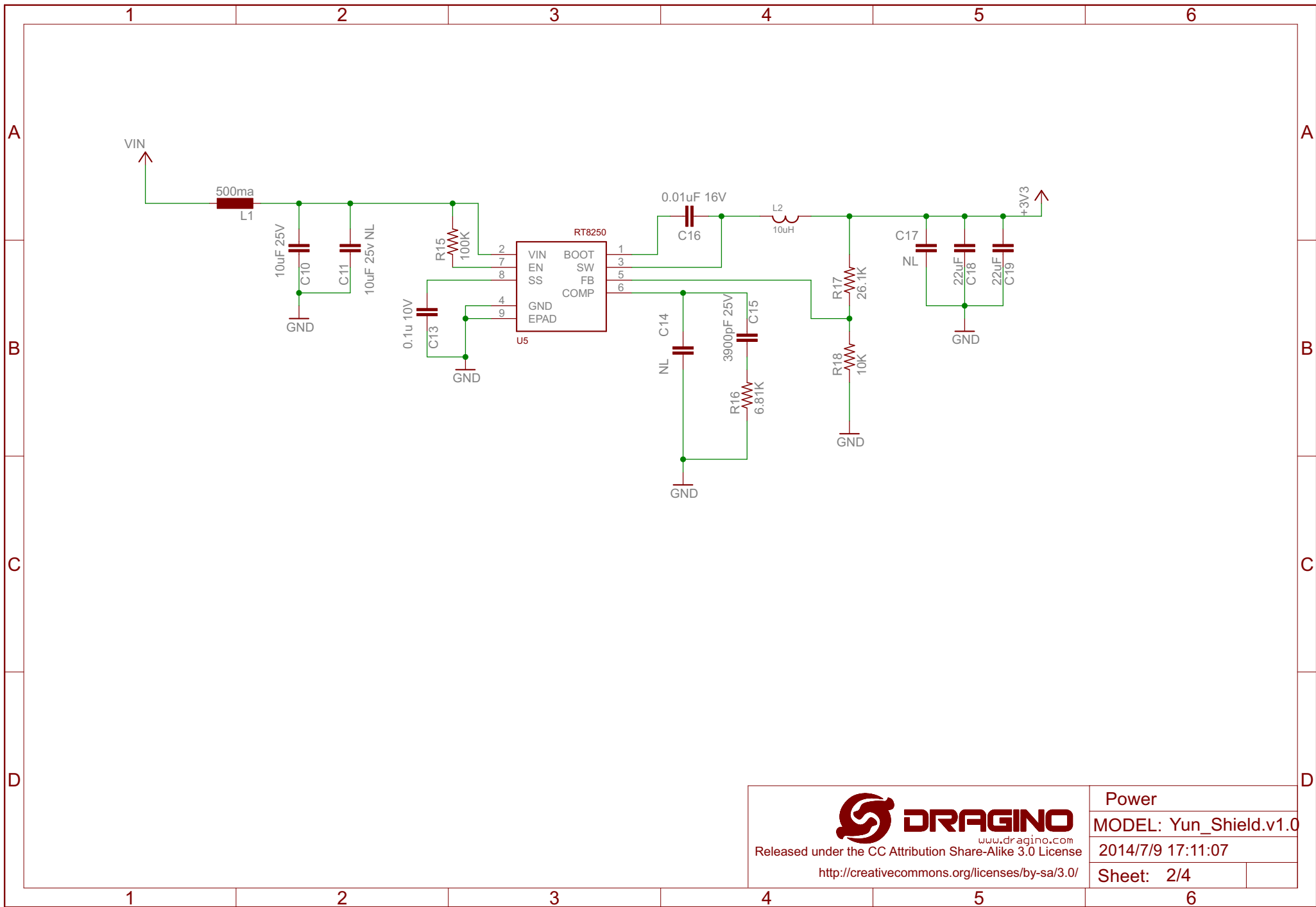


Released under the CC Attribution Share-Alike 3.0 License  
<http://creativecommons.org/licenses/by-sa/3.0/>

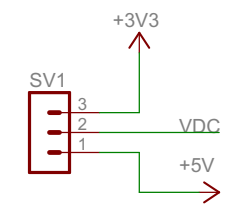
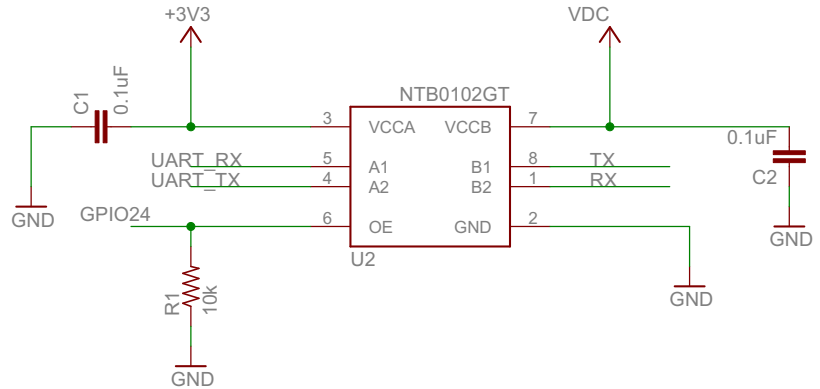
Arduino Connector	
MODEL: Yun_Shield.v1.0	
2014/7/9 17:11:07	
Sheet: 1/4	



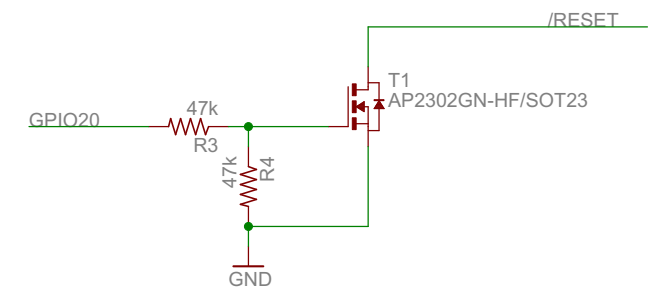
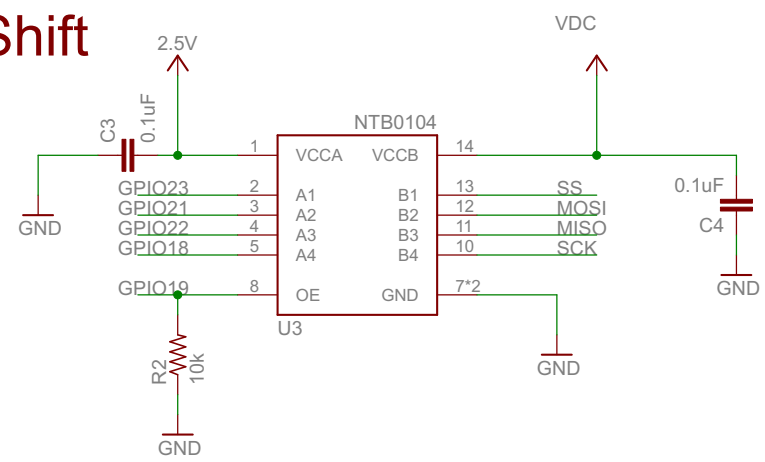
Released under the CC Attribution Share-Alike 3.0 License  
<http://creativecommons.org/licenses/by-sa/3.0/>

Power
MODEL: Yun_Shield.v1.0
2014/7/9 17:11:07
Sheet: 2/4

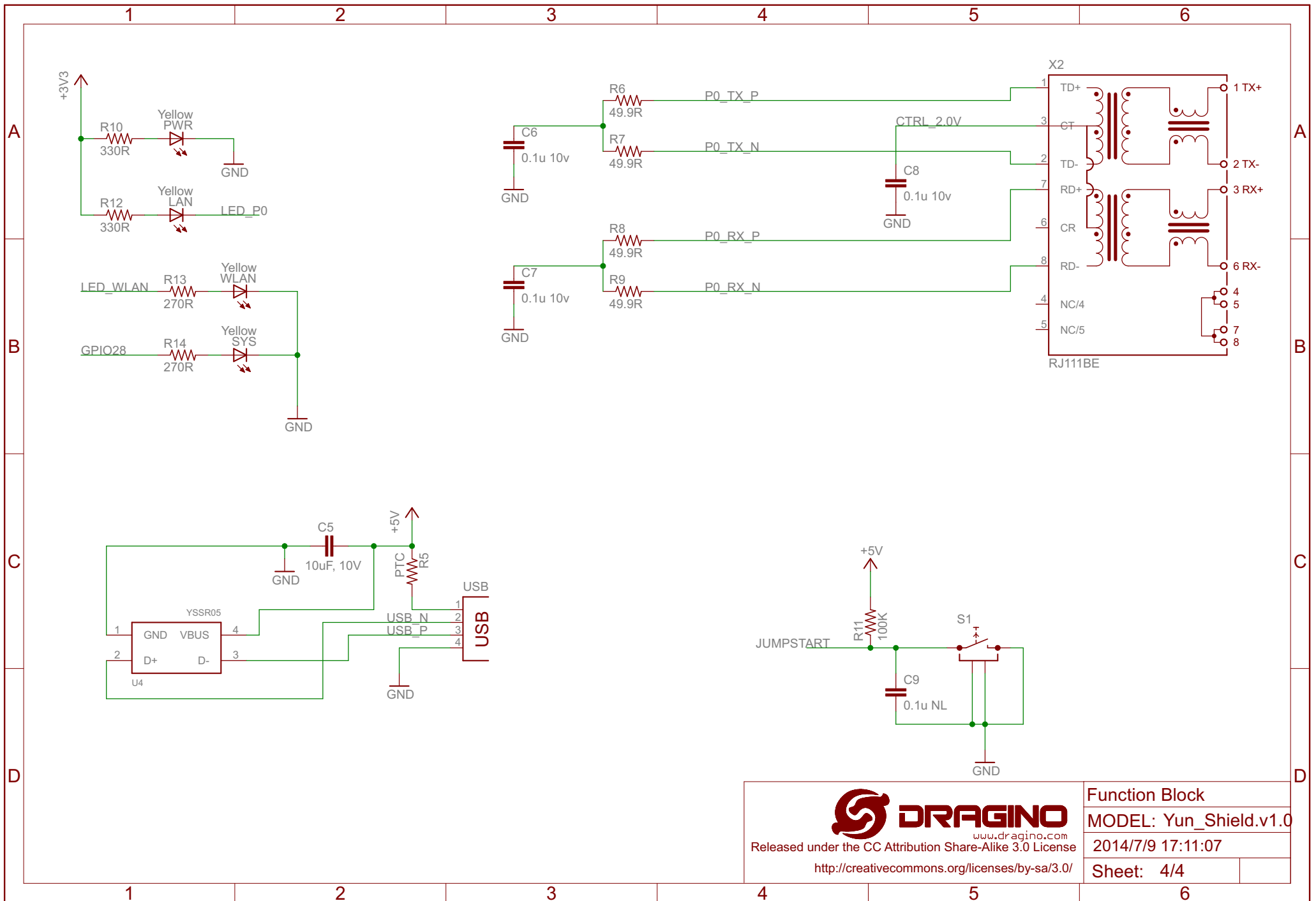
# UART Level Shift



# SPI Level Shift



 Released under the CC Attribution Share-Alike 3.0 License <a href="http://creativecommons.org/licenses/by-sa/3.0/">http://creativecommons.org/licenses/by-sa/3.0/</a>	Level Shift
	MODEL: Yun_Shield.v1.0
	2014/7/9 17:11:07
	Sheet: 3/4



Released under the CC Attribution Share-Alike 3.0 License  
<http://creativecommons.org/licenses/by-sa/3.0/>

Function Block	
MODEL: Yun_Shield.v1.0	
2014/7/9 17:11:07	
Sheet: 4/4	